



LRT return linear slot diffusers

The return linear slot diffusers of the **LRT** series have been designed to combine aesthetics with technical performance in HVAC systems.

- LNG linear diffuser with lateral circular connection plenum box and filter included.
- False ceiling or suspended from the ceiling mounting.
- Hinged removable core for the easy access with no need of tools, by means of PUSH fasteners.

Product advantages

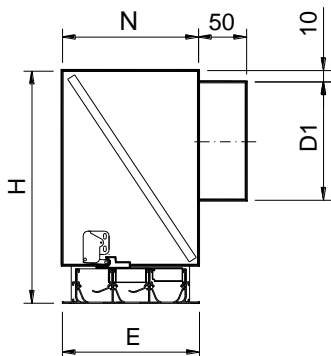
- Allows the formation of continuous diffuser lines, with active and inactive zones, without breaking the aesthetic uniformity of the whole.
- PUSH system for easy maintenance.



- Oficinas
- Hoteles
- Residencial



LRT



	N	E
3	147	147
4	186	186

CLASSIFICATION

LRT Linear diffuser for air return with lateral circular connection plenum box and filter (K/8 class EN 779 G3) included.

...-AR Diffuser with end borders included. Suitable for lengths $\leq 1,5$ m.

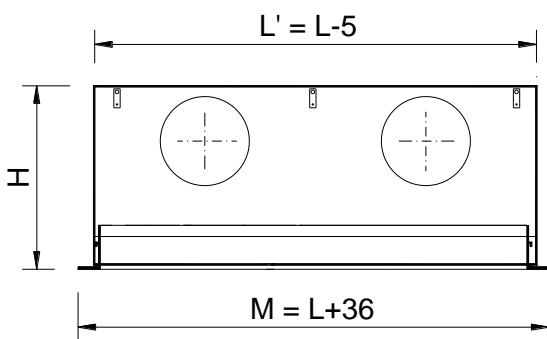
...-ARI Diffuser with an end border on the left side, required to form lines $> 1,5$ m.

...-ARD Diffuser with an end border on the right side, required to form lines $> 1,5$ m.

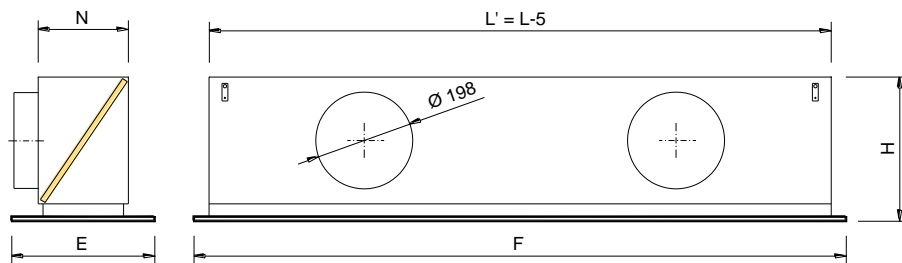
...-INT Diffuser without end borders, required to form lines > 3 m.

MATERIAL

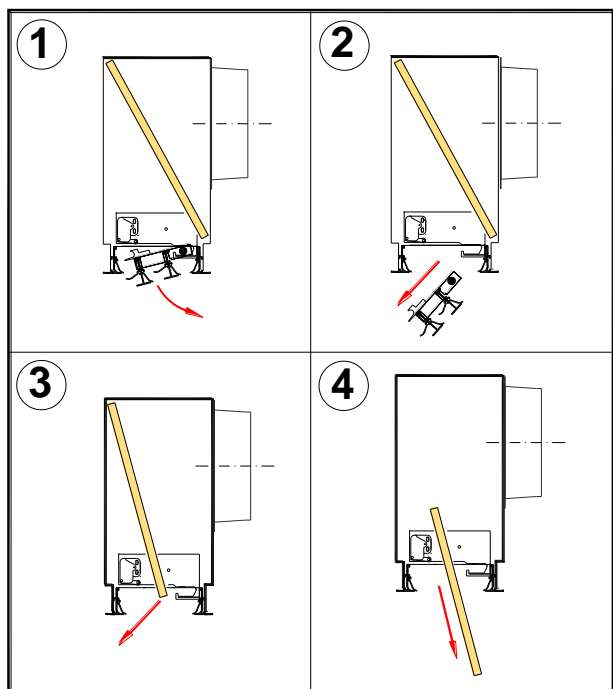
Diffuser constructed from aluminium and deflection vanes from aluminium in black colour.



	L \leq 0,5		L \leq 1		L \leq 1,2		L \leq 1,5	
	H	D1	H	D1	H	D1	H	D1
3	296	1/198	296	1/198	296	2/198	296	2/198
4	296	1/198	296	1/198	296	2/198	296	2/198



	slots	F	E	L'	H	D1	N
LRT MOD 1200x300	3	1195	295	1145	296	2/198	147
LRT MOD 1200x300	4	1195	295	1145	296	2/198	186
LRT MOD 1350x300	3	1345	295	1345	296	2/198	147
LRT MOD 1350x300	4	1345	295	1345	296	2/198	186



ACCESSORIES

/AIS/ Plenum box with thermal insulation inside. Foam density 25 kg / m³ ISO 845. Thermal conductivity 10° C_0,040 W / m°K EN 12667. Classified reaction to fire B-s1, d0 EN 13501-1.

FIXING SYSTEMS

(D) Support brackets to hang from the ceiling.

FINISHES

AA Matt silver anodised.

R9016S Painted white RAL 9016 (60-70% gloss)

R9010S Painted white RAL 9010 (60-70% gloss)

RAL... Painted other RAL.

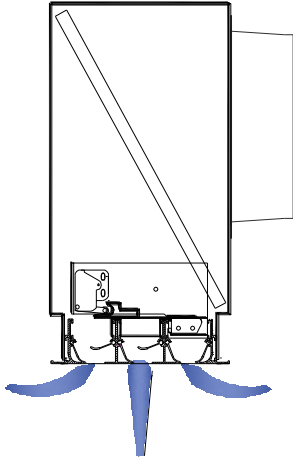
.../AB/ Vanes in white colour.

SPECIFICATION TEXT

Supply and mounting of linear slot diffuser with directional blades with plenum and filter, for air return, removable without tools by means of PUSH fasteners, series **LRT-AR R9010S 3x1000**, constructed from aluminium and painted white RAL 9010 (60-70% gloss). Manufacturer **MADÉL**



LRT



RECOMMENDED VELOCITY.

	Vmin (m/s)	Vmax (m/s)
3	2	3
4	2	3

FREE FACE AREA (m2).

	0.5 m	1 m	1.2 m	1.5 m	1.8 m	2 m
3	0.013	0.0261	0.0313	0.0391	0.047	0.0522
4	0.0172	0.0348	0.0418	0.052	0.0626	0.0696

CORRECTION FACTOR FOR Dpt AND Lwa1.

		0.5 m <x< 0.7 m			0.8 m <x< 1.2 m			1.3 m <x< 1.7 m			1.8 <x< 2 m		
		100%	50%	25%	100%	50%	25%	100%	50%	25%	100%	50%	25%
3	Dpt	0.8	2.1	3.2	1	1.3	2.4	1.2	2.5	3.6	1.4	2.7	3.8
	Lwa1	-	4	5	-	5	8	-	5	8	-	4	8
4	Dpt	0.7	2.1	2.8	1	1.4	2.1	1.3	2.7	3.4	1.5	2.9	3.6
	Lwa1	-	4	5	-	4	8	-	5	8	-	4	8

$$DPt1 = Kp \times DPt$$

$$Lwa1 = Lwa + Kf$$

FREE VELOCITY, PRESSURE LOSS AND SOUND POWER LEVEL.

