

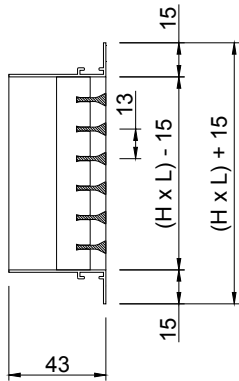


## LMT-MISS reduced frame at 15 linear grilles

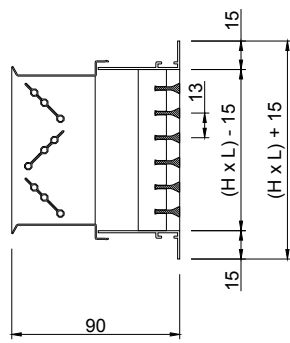
### MADEL®

The **LMT-MISS** series grilles are designed to be used in air-conditioning, ventilation and heating. The distance between the blades and the thickness of them give great strength and an aesthetic appearance which makes them ideal for living rooms and locations where decorative factors are of prime importance. They are suitable for supply and extraction in particular or for use in air curtains. They can be placed in ceilings and walls.

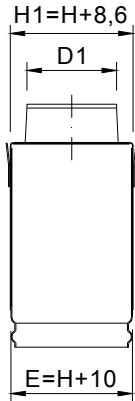
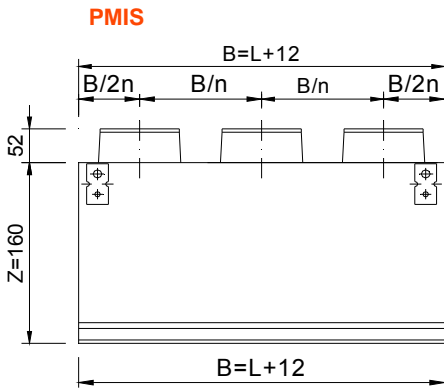
**LMT-MISS**



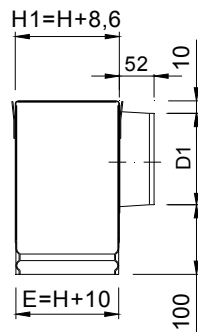
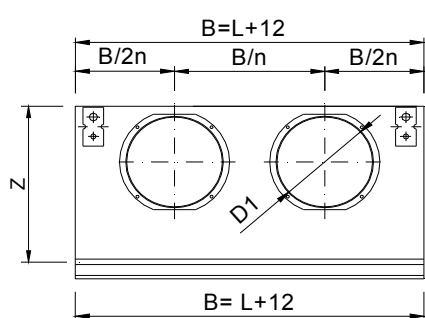
**LMT-MISS+SP**



**PMIS**



**PMIS /L/**



**CLASSIFICATION**

- LMT-MISS** Grille with end borders and fixed bars at 0°. Suitable for lengths ≤ 2 m.
- ...-15** Grille LMT with fixed bars at 15°.
- ...-DD** LMT grille with individually adjustable rear blades, parallels to the shortest side. Shadow-line effect with rear blades in black colour.
- ...-ARI** Grille with an end border on the left side, required to form lines > 2 m.
- ...-ARD** Grille with an end border on the right side, required to form lines > 2 m.
- ...-INT** Grille without end borders, required to form lines > 4 m.

**MATERIAL**

Extruded aluminium grille.

**ACCESSORIES – PLENUM BOXES**

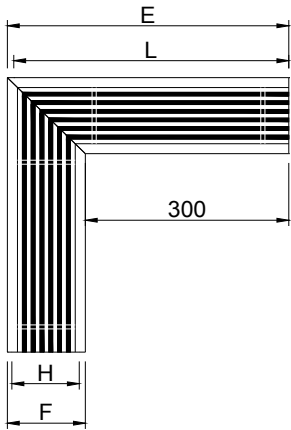
- PMIS** Plenum boxes with upper circular connection, made from galvanized steel. Suitable for both wall and ceiling mounting.
- ...-R** Plenum box with a flow damper in the spigot.
- .../L/** Plenum box with a lateral connection.
- .../AIS/** Thermally insulated plenum box with foam. Density 30 kg / m<sup>3</sup> ISO 845. Thermal conductivity 20° C 0,040 W / m<sup>2</sup>K ISO 3386/1. Classified reaction to fire B-s2, d0 EN 13501-1.

**PMIS (D1)**

**PMIS /L/ (D1)**

LxH	75	100	125	150	200	250	300	LxH	75	100	125	150	200	250	300
200	1/61	1/98	1/123	1/123	1/198			200	1/98	1/123	1/123	1/158	1/198		
250	1/61	1/98	1/123	1/123	1/198	1/198		250	1/123	1/123	1/158	1/198	1/198	1/198	
300	2/61	1/98	1/123	1/123	1/198	1/248	1/248	300	1/123	1/158	1/198	1/198	1/198	1/198	1/248
400	2/61	1/98	1/123	1/123	1/198	1/248	1/248	400	1/123	1/158	1/198	1/198	1/248	1/248	1/248
500	2/61	1/98	1/123	1/123	1/198	1/248	1/248	500	1/158	1/198	1/198	1/198	1/248	1/248	1/313
600	2/61	2/98	2/123	2/123	1/198	1/248	1/248	600	1/158	1/198	1/198	2/198	1/248	1/248	1/313
700	3/61	2/98	2/123	2/123	1/198	1/248	1/248	700	2/158	2/198	2/198	2/198	2/198	2/248	2/248
800	3/61	2/98	2/123	2/123	1/198	1/248	1/248	800	2/158	2/198	2/198	2/198	2/198	2/248	2/248
900	3/61	2/98	2/123	2/123	2/198	1/248	1/248	900	2/158	2/198	2/198	2/198	2/248	2/248	2/313
1000	4/61	2/98	2/123	2/123	2/198	1/248	2/248	1000	2/158	2/198	2/198	2/198	2/248	2/248	2/313
1200	4/61	3/98	3/123	3/123	2/198	2/248	2/248	1200	3/158	3/198	3/198	3/198	3/198	3/248	3/313
1400	5/61	3/98	3/123	3/123	2/198	2/248	2/248	1400	3/158	3/198	3/198	3/198	3/198	3/248	3/313
1600	6/61	4/98	3/123	4/123	2/198	2/248	2/248	1600	3/158	3/198	3/198	3/198	3/248	3/248	3/313
1800	6/61	4/98	4/123	4/123	3/198	2/248	2/248	1800	4/158	4/198	4/198	4/198	4/248	4/248	3/313
2000	6/61	4/98	4/123	4/123	3/198	2/248	3/248	2000	4/158	4/198	4/198	4/198	4/248	4/248	4/313

**A90/MISS**



H	E	L	F
75	390	383	90
100	415	408	115
125	440	433	140
150	465	458	165
200	515	508	215
250	565	558	265
300	615	608	315

**ACCESSORIES**

**SP** Opposed blades volume damper from electro-zinc steel, in black colour. The damper is operated by an easily accessible key inside the grille.

**A90/MISS** Inactive grille without end borders, making a 90° angle.

**FIXING SYSTEMS**

**(S)** Clips. It requires mounting frame CSS.

**(O)** Hidden screw. It requires mounting frame CSS.

**FINISHES**

**AA** Matt silver anodised.

**M9016** Painted white similar to RAL 9016 (85-95% gloss)

**R9016S** Painted white RAL 9016 semi-matt (60-70% gloss)

**R9010S** Painted white RAL 9010 semi-matt (60-70% gloss)

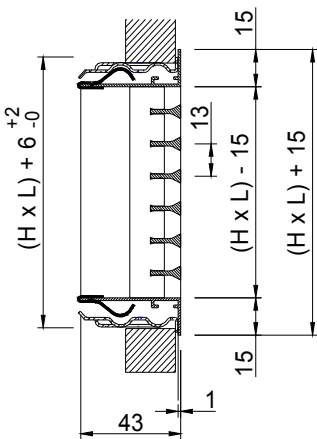
**RAL...** Painted in other RAL colours

**SPECIFICATION TEXT**

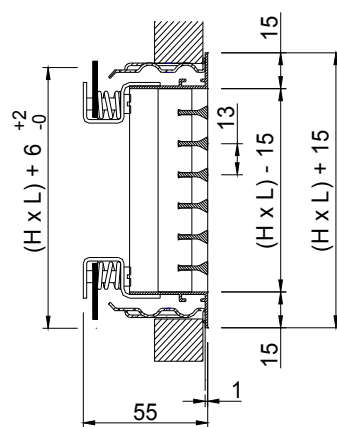
Supply and mounting of linear grille with reduced frame at 15 mm and fixed bars at 0° parallels to the largest side series **LMT-MISS+SP+CSS (S) M9016 dim. LxH**, constructed from aluminium paint in white **M9016** with opposed blades volume damper from electro-zinc steel in black colour **SP**, invisible fixing by clips **(S)** and mounting frame **CSS**.

Manufacturer **MADEL**.

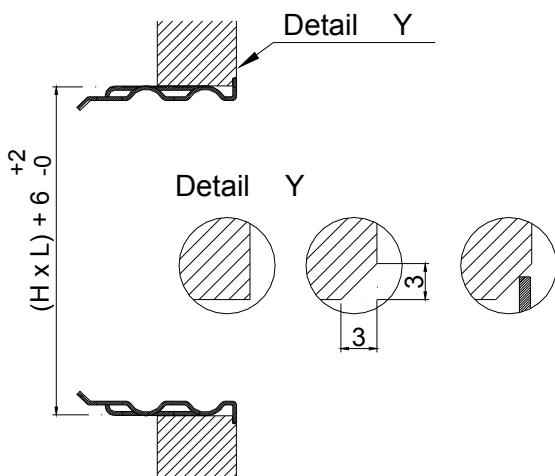
**(S)**



**(O)**



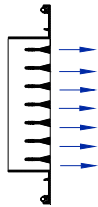
**CSS**



**LMT-MISS**

FREE FACE AREA m2.

H \ L	150	200	250	300	350	400	450	500	600	700	800	900	1000
75	0,004	0,006	0,007	0,009	0,010	0,012	0,014	0,015	0,019	0,022	0,025	0,028	0,032
100	0,006	0,008	0,010	0,013	0,015	0,017	0,020	0,022	0,027	0,031	0,036	0,041	0,045
150	0,010	0,014	0,018	0,023	0,026	0,030	0,034	0,038	0,046	0,054	0,062	0,070	0,078
200	0,014	0,019	0,025	0,031	0,036	0,041	0,046	0,052	0,063	0,073	0,084	0,095	0,106
250	0,018	0,025	0,031	0,039	0,045	0,052	0,059	0,065	0,079	0,093	0,106	0,120	0,133
300	0,022	0,030	0,038	0,047	0,054	0,063	0,071	0,079	0,095	0,112	0,128	0,145	0,161
350	0,026	0,036	0,046	0,056	0,066	0,076	0,085	0,095	0,115	0,135	0,155	0,174	0,194
400	0,030	0,041	0,052	0,064	0,075	0,086	0,098	0,109	0,131	0,154	0,177	0,199	0,222
450	0,034	0,046	0,059	0,072	0,084	0,097	0,110	0,122	0,148	0,173	0,198	0,224	0,249
500	0,038	0,052	0,066	0,080	0,094	0,108	0,122	0,136	0,164	0,192	0,220	0,249	0,277



RECOMMENDED VELOCITY.

Vmin m/s	Vmax m/s
2	3.5

Determination of air flow.  
Measuring the Vf in different points  
of the grille, we find the Vfmed.

$$Q \text{ (l/s)} = V_{fmed} \text{ (m/s)} * A_{free} \text{ (m}^2) * 1000$$

$$Q \text{ (m}^3\text{/h)} = V_{fmed} \text{ (m/s)} * A_{free} \text{ (m}^2) * 3600$$

CORRECTION FACTOR FOR Lwa1.

Afree m2	0,01	0,02	0,05	0,1	0,2	0,4
Lwa1(kf)	-9	-6	-3	-	+4	+7

Weighted noise level related to  
Afree = 0,1m2.

$$Lwa = Lwa1 + Kf$$

FREE VELOCITY, PRESSURE LOSS AND SOUND POWER LEVEL.

