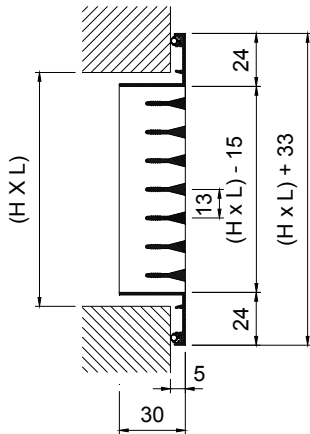


LMT linear grilles frame 24 mm

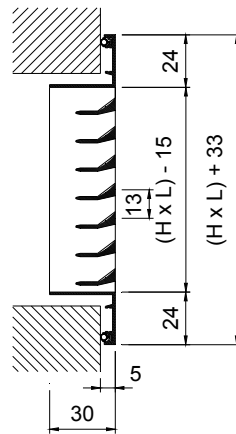
MADEL®

The **LMT** series grilles are designed to be used in air-conditioning, ventilation and heating. The distance between the blades and the thickness of them give great strength and an aesthetic appearance which makes them ideal for living rooms and locations where decorative factors are of prime importance. They are suitable for supply and extraction in particular or for use in air curtains. They can be placed in ceilings and walls.

LMT



LMT-15



CLASSIFICATION

LMT Grille with end borders and fixed bars at 0°. Suitable for lengths ≤ 2 m.

...-15 Grille LMT with fixed bars at 15°.

...-DD LMT grille with individually adjustable rear blades, parallels to the shortest side. Shadow-line effect with rear blades in black colour.

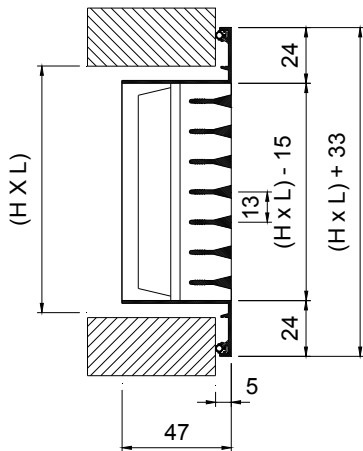
...-ARI Grille with an end border on the left side, required to form lines > 2 m.

...-ARD Grille with an end border on the right side, required to form lines > 2 m.

...-INT Grille without end borders, required to form lines > 4 m.

EMP Linear core grille.

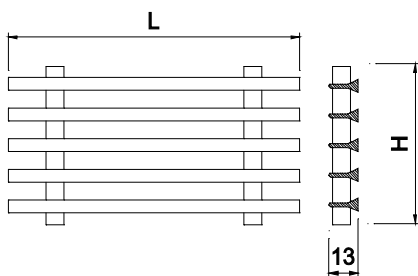
LMT-DD



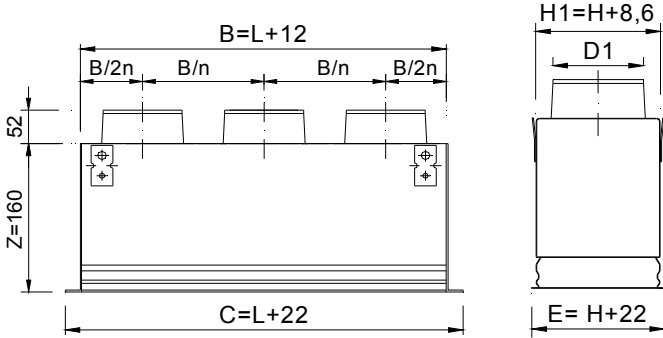
MATERIAL

Extruded aluminium grille. All the grilles are provided with seal on the back of the frame in order that the perimeter in contact with walls, ceiling, ducts, etc... is airtight.

EMP



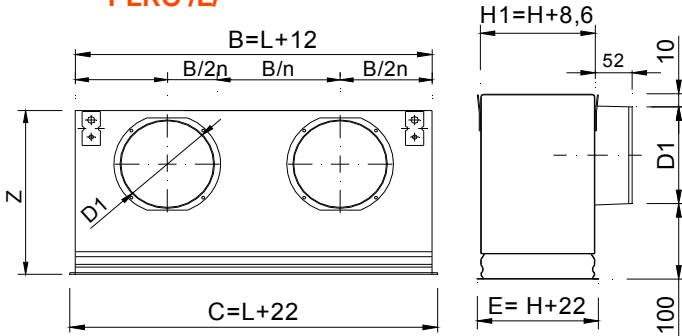
PLRO



ACCESSORIES –PLENUM BOX

PLRO Plenum boxes with upper circular connection, made from galvanized steel. Suitable for both wall and ceiling mounting.
...-R Plenum box with a flow damper in the spigot.
.../L/ Plenum box with a lateral connection.
.../AIS/ Thermally insulated plenum box with foam. Density 30 kg / m³ ISO 845. Thermal conductivity 20° C_0,040 W / m°K ISO 3386/1.
 Classified reaction to fire B-s2, d0 EN 13501-1.

PLRO /L/

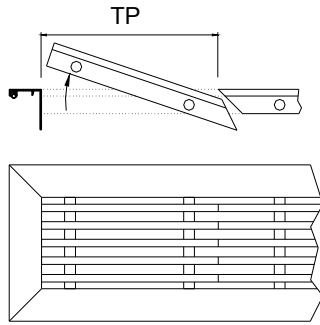


PLRO (D1)

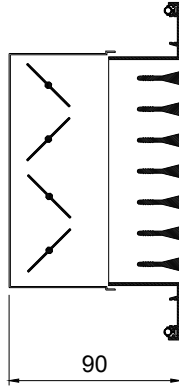
PLRO /L/ (D1)

LxH	75	100	125	150	200	250	300	LxH	75	100	125	150	200	250	300
200	1/61	1/98	1/123	1/123	1/198			200	1/98	1/123	1/123	1/158	1/198		
250	1/61	1/98	1/123	1/123	1/198	1/198		250	1/123	1/123	1/158	1/198	1/198	1/198	
300	2/61	1/98	1/123	1/123	1/198	1/248	1/248	300	1/123	1/158	1/158	1/198	1/198	1/198	1/248
400	2/61	1/98	1/123	1/123	1/198	1/248	1/248	400	1/123	1/158	1/198	1/198	1/248	1/248	1/248
500	2/61	1/98	1/123	1/123	1/198	1/248	1/248	500	1/158	1/198	1/198	1/198	1/248	1/248	1/313
600	2/61	2/98	2/123	2/123	1/198	1/248	1/248	600	1/158	1/198	1/198	2/198	1/248	1/248	1/313
700	3/61	2/98	2/123	2/123	1/198	1/248	1/248	700	2/158	2/198	2/198	2/198	2/198	2/248	2/248
800	3/61	2/98	2/123	2/123	1/198	1/248	1/248	800	2/158	2/198	2/198	2/198	2/198	2/248	2/248
900	3/61	2/98	2/123	2/123	2/198	1/248	1/248	900	2/158	2/198	2/198	2/198	2/248	2/248	2/313
1000	4/61	2/98	2/123	2/123	2/198	1/248	2/248	1000	2/158	2/198	2/198	2/198	2/248	2/248	2/313
1200	4/61	3/98	3/123	3/123	2/198	2/248	2/248	1200	3/158	3/198	3/198	3/198	3/198	3/248	3/313
1400	5/61	3/98	3/123	3/123	2/198	2/248	2/248	1400	3/158	3/198	3/198	3/198	3/198	3/248	3/313
1600	6/61	4/98	3/123	4/123	2/198	2/248	2/248	1600	3/158	3/198	3/198	3/198	3/248	3/248	3/313
1800	6/61	4/98	4/123	4/123	3/198	2/248	2/248	1800	4/158	4/198	4/198	4/198	4/248	4/248	3/313
2000	6/61	4/98	4/123	4/123	3/198	2/248	3/248	2000	4/158	4/198	4/198	4/198	4/248	4/248	4/313

LMT+TP



LMT+SP



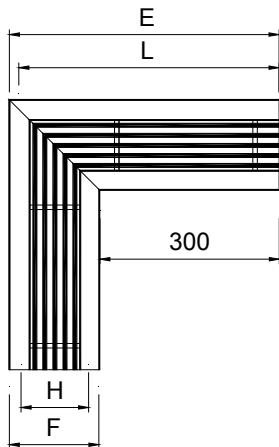
ACCESSORIES

SP Opposed blades volume damper from electro-zinc steel, in black colour. The damper is operated by an easily accessible key inside the grille.

TP Hinged access door.

A90/LMT Inactive grille without end borders, making a 90° angle.

A90/LMT



H	E	L	F
75	408	391,5	108
100	433	416,5	133
125	458	441,5	158
150	483	466,5	183
200	533	516,5	233
250	583	566,5	283
300	633	616,5	333

FIXING SYSTEMS

(S) Clips. It requires mounting frame CM.

(O) Hidden screw. It requires mounting frame CM.

(T) Visible screws.

FINISHES

AA Matt silver anodised.

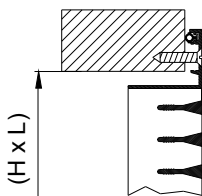
M9016 Painted white similar to RAL 9016 (85-95% gloss)

R9016S Painted white RAL 9016 semi-matt (60-70% gloss)

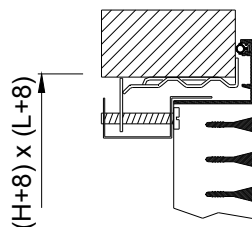
R9010S Painted white RAL 9010 semi-matt (60-70% gloss)

RAL... Painted in other RAL colours

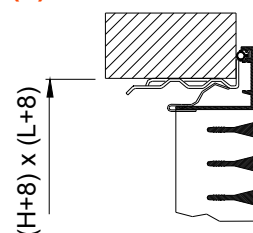
(T)



(O)



(S)



SPECIFICATION TEXT

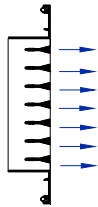
Supply and mounting of linear grille with fixed bars at 0° parallels to the largest side series **LMT+SP+CM (S) M9016 dim. LxH**, constructed from aluminium paint in white **M9016** with opposed blades volume damper from electro-zinc steel in black colour **SP**, invisible fixing by clips **(S)** and mounting frame **CM**.

Manufacturer **MADEL**.

LMT

FREE FACE AREA m2.

H \ L	150	200	250	300	350	400	450	500	600	700	800	900	1000
75	0,004	0,006	0,007	0,009	0,010	0,012	0,014	0,015	0,019	0,022	0,025	0,028	0,032
100	0,006	0,008	0,010	0,013	0,015	0,017	0,020	0,022	0,027	0,031	0,036	0,041	0,045
150	0,010	0,014	0,018	0,023	0,026	0,030	0,034	0,038	0,046	0,054	0,062	0,070	0,078
200	0,014	0,019	0,025	0,031	0,036	0,041	0,046	0,052	0,063	0,073	0,084	0,095	0,106
250	0,018	0,025	0,031	0,039	0,045	0,052	0,059	0,065	0,079	0,093	0,106	0,120	0,133
300	0,022	0,030	0,038	0,047	0,054	0,063	0,071	0,079	0,095	0,112	0,128	0,145	0,161
350	0,026	0,036	0,046	0,056	0,066	0,076	0,085	0,095	0,115	0,135	0,155	0,174	0,194
400	0,030	0,041	0,052	0,064	0,075	0,086	0,098	0,109	0,131	0,154	0,177	0,199	0,222
450	0,034	0,046	0,059	0,072	0,084	0,097	0,110	0,122	0,148	0,173	0,198	0,224	0,249
500	0,038	0,052	0,066	0,080	0,094	0,108	0,122	0,136	0,164	0,192	0,220	0,249	0,277



RECOMMENDED VELOCITY.

Vmin m/s	Vmax m/s
2	3.5

Determination of air flow.
Measuring the Vf in different points
of the grille, we find the Vfmed.

$$Q \text{ (l/s)} = V_{fmed} \text{ (m/s)} * A_{free} \text{ (m}^2) * 1000$$

$$Q \text{ (m}^3\text{/h)} = V_{fmed} \text{ (m/s)} * A_{free} \text{ (m}^2) * 3600$$

CORRECTION FACTOR FOR Lwa1.

Afree m2	0,01	0,02	0,05	0,1	0,2	0,4
Lwa1(kf)	-9	-6	-3	-	+4	+7

Weighted noise level related to
Afree = 0,1m2.

$$Lwa = Lwa1 + Kf$$

FREE VELOCITY, PRESSURE LOSS AND SOUND POWER LEVEL.

