



CXT Circular external grilles

MADEL®

The **CXT** series grilles are designed to take in air from the exterior or to expel used air.

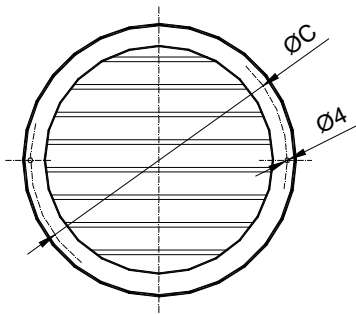
The fixed blades at 45° are designed to prevent rain penetration.

They are very strongly built and resistant to aggressive climatic conditions, for outdoor installation.

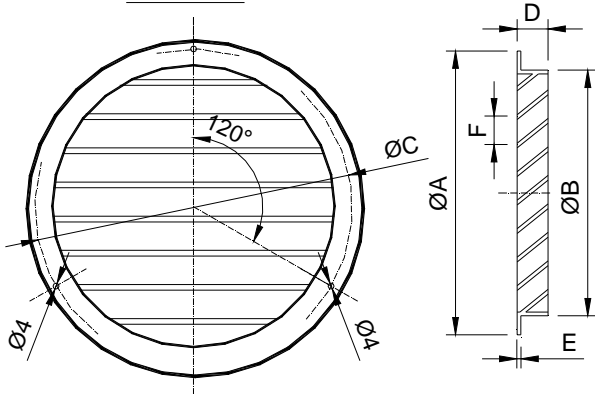


CXT

125 / 160 / 200 / 250



315 / 400



H	Ø A	Ø B	Ø C	D	E	F	Kg
125	155	124	139,5	25	3	20	0,36
160	190	159	174,5	25	3	20	0,41
200	230	199	214,5	25	3	20	0,49
250	280	248	264	28	3	20	0,74
315	350	314	332	20	3	20	1,94
400	440	399	419,5	25	7	25	3,6

CLASSIFICATION

CXT Circular grille with embedded mesh.

MATERIAL

Injected aluminium grille.
These grilles have embedded a mesh.

FIXING SYSTEMS

(T) The grille is fixed in place with screws.

FINISHES

M9016 Painted white similar to RAL 9016
(85-95% gloss)

R9016S Painted white RAL 9016 semi-matt
(60-70% gloss)

R9010S Painted white RAL 9010 semi-matt
(60-70% gloss)

M9006 Painted grey similar to RAL 9006
(80% gloss)

RAL... Painted in other RAL colours.

SPECIFICATION TEXT

Supply and mounting of external use circular grille with mesh series **CXT (T) M9016 dim. 400**, constructed from aluminium paint in white **M9016**, visible fixing by screws **(T)**.
Manufacturer **MADEL**.



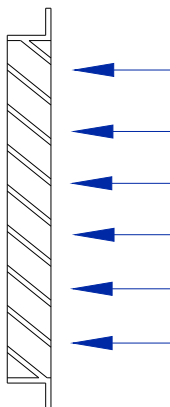
CXT

NECK VELOCITY, PRESSURE LOSS AND SOUND POWER LEVEL.

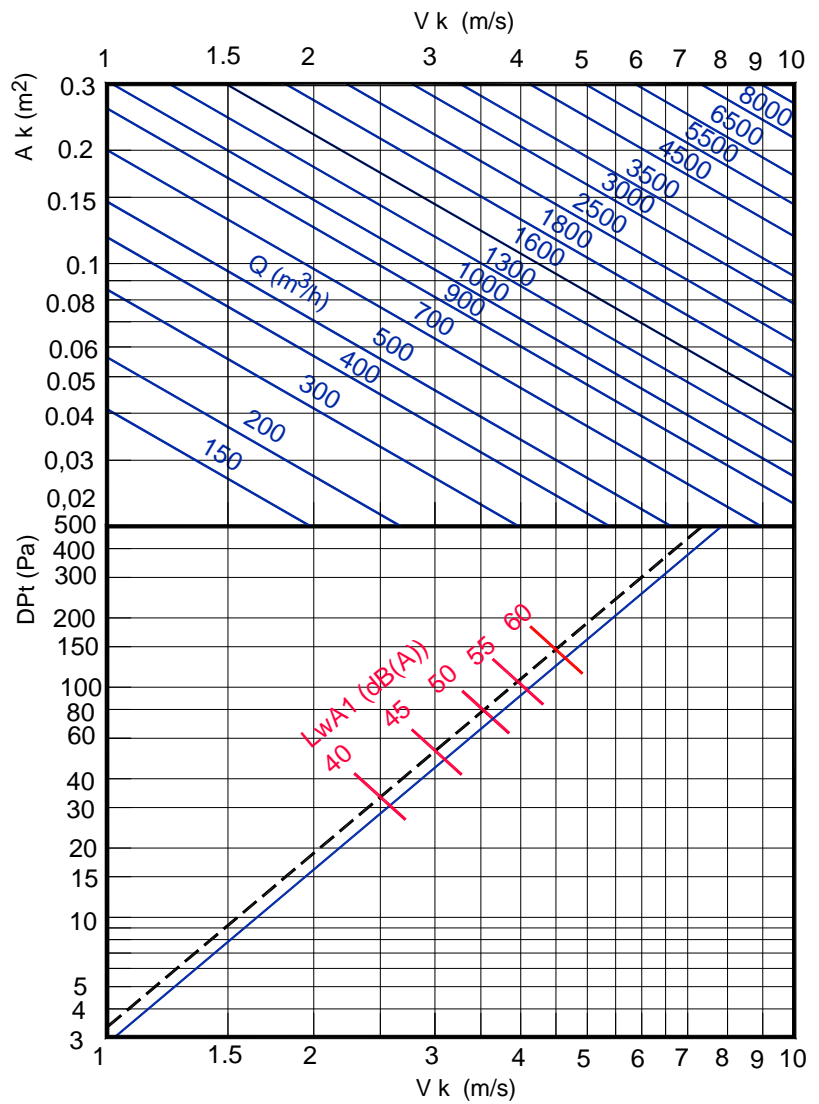
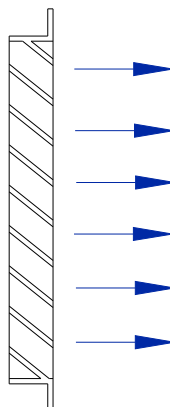
NECK AREA m².

	A _k m ²
125	0,0123
160	0,0201
200	0,0314
250	0,0491
315	0,0779
400	0,125

TAKE IN AIR



EXPELL USED AIR



--- TAKE IN AIR
 — EXPELL USED AIR

$$V_k \text{ (m/s)} = \frac{Q \text{ (m}^3/\text{h)}}{A_k \text{ (m}^2) * 3600}$$

$$V_k \text{ (m/s)} = \frac{Q \text{ (l/s)}}{A_k \text{ (m}^2) * 1000}$$