



FTR air transfer expanding grilles EI 60 / EI 120



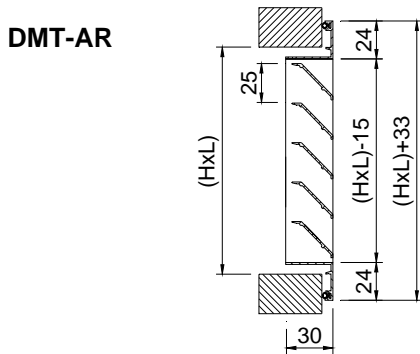
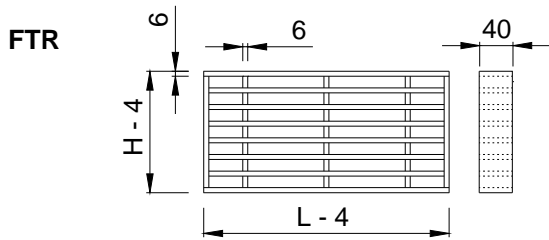
MAD E L[®]

The intumescent **FTR** grilles allow natural ventilation through compartmentation elements. They expand at a temperature of 120°C, sealing the ventilation opening.

Grille constructed from sodium silicate covered in PVC.

Tested according to the general requirements of EN 1363-1, complying with the criteria of integrity against fire and thermal insulation for a time of 60/120 * minutes (EI 60 / EI 120) according to the test standard EN 1366-3.

** Meets the criteria described following the indicated mounting system.*



CLASSIFICATION

FTR Rectangular expanding grille EI 60 or EI 120 according to the mounting system.

ACCESSORIES

DMT-AR (T) Return grille made from aluminium with fixed blades at 45°. Fixing by visible screws. More info at DMT series.

TM Expanding filler tube of 310 ml.

FIXING SYSTEMS

- 1) FTR** mounting into the wall opening for a resistance EI 60.
- 2) FTR + 2 un DMT-AR (T)** mounting into the wall opening for a resistance EI 120

SPECIFICATION TEXT

EI 60

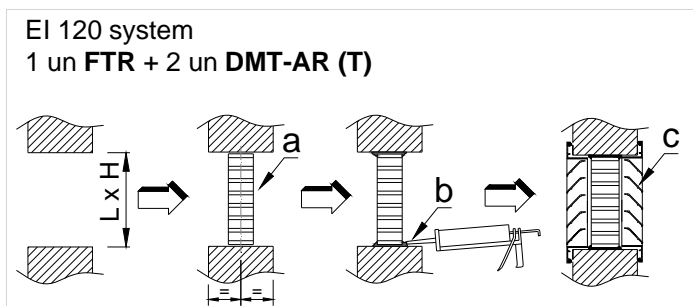
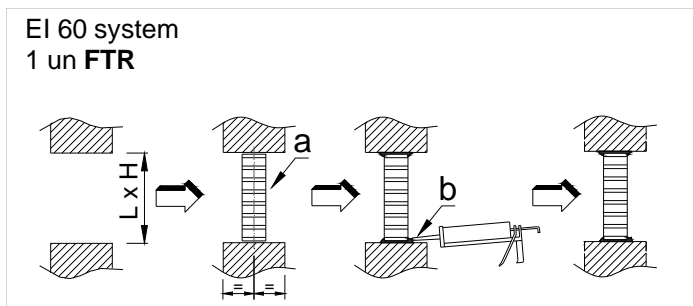
Supply and mounting of expanding grille for ventilation through compartmentation elements EI 60 (integrity and insulation during 60 min) **FTR** series, dim. LxH, constructed from sodium silicate covered in PVC.

MADEL brand.

EI 120

Supply and mounting of expanding grille for ventilation through compartmentation elements EI 120 (integrity and insulation during 120 min) **FTR** series + 2 units of **DMT-AR (T)** grilles, dim. LxH. FTR constructed from sodium silicate covered in PVC and DMT-AR series from aluminium.

MADEL brand.



- a- FTR grille
b- Holes have to be plugged by expanding filler TM.
c- 2 units of DMT-AR (T) grilles.



Series FTR

L x H mm	A free m ²
100x100	0,006
200x100	0,012
150x150	0,014
300x150	0,028
200x200	0,025
400x200	0,050
300x300	0,056
400x400	0,100