

MADEL®

we shape the air



www.madel.com



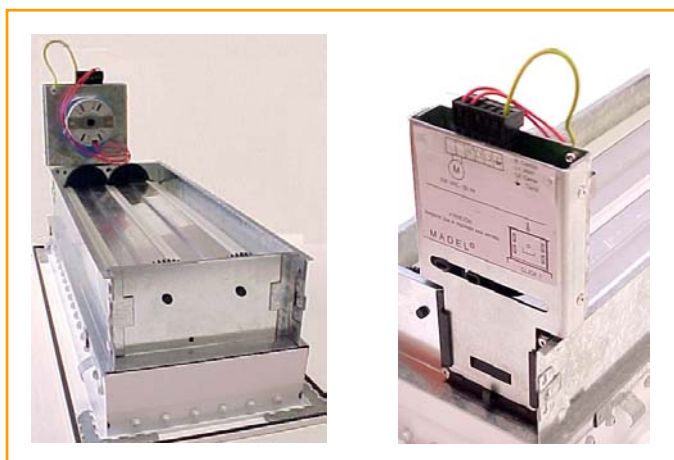
series **ZP-A24 / 230**

Motorised opposed blades damper designed to be applied in grilles. Blades incorporates a PVC airtight joint. Constructed from aluminium, galvanised steel and gears from polyamide



MADEL AIR TECHNICAL DIFFUSION, S.A.
Av. Ildefons Cerdà, s/n - P.O.Box nº 5 - E-08540 Centelles (Barcelona)
Tel. 00 34 93 882 17 00 - Fax 00 34 93 889 82 19 - e-mail: info@madel.com

(Edition 6/05)

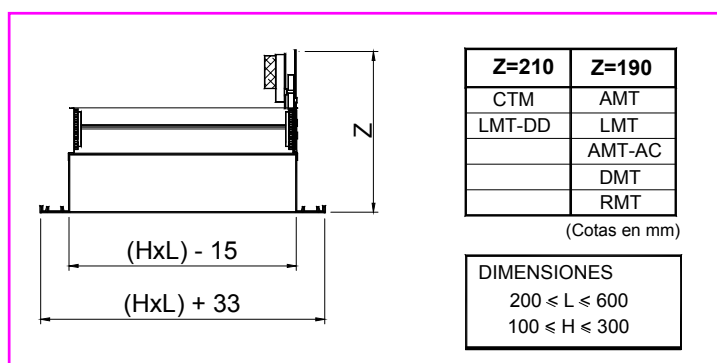


The motorised opposed blades damper **ZP-A24 /230** are designed for an Open / Close regulation type in air conditioned systems.

ZP-A dampers are suitable for individualised temperature control of different zones of a building. The Vac 24 or Vac 230 motors are compatible with any regulating system on the market, from the traditional thermostats, commutators, etc... to the more sophisticated integrated systems.

Sizes

Compatible with all the MADEL grilles.
Available from 200x100 to 600x300.

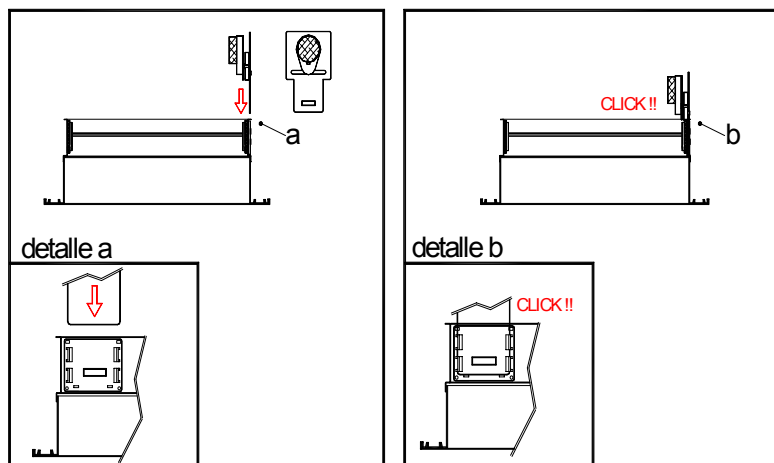


Technical Characteristics

Power	AC 24 V	AC 230 V
Frequency	50 Hz	50 Hz
Consumption	3.5 W	3.5 W
Operating Temperature	-5...+55 °C	-5...+55 °C
Protection level	IP 30	IP 30



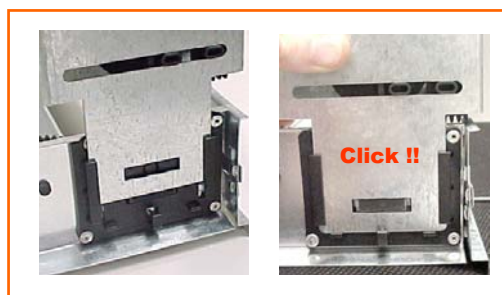
Mounting System



The motors and dampers are packed separately to protect the motor during the transport.

This fact allows to the distributor or the installer to stock dampers and motors separately in order to have more flexibility to deliver the damper with the required motor according to every installation.

On the same ZP-A damper you can adapt a 24 Vac or 230 Vac motor as well as a 24 Vdc motor, used in Zoning System R/C.



Wiring diagram

