



UFA terminal units with HEPA filter

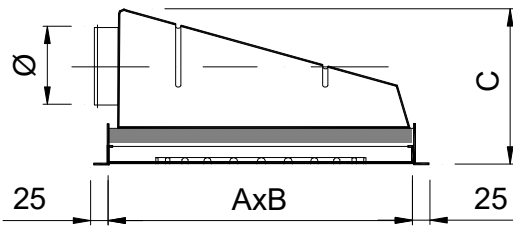


MADEL®

The terminal units of the **UFA** series have the dual function of filtering the air with high efficiency absolute filters and distributing the air throughout the premises. It consists of a plenum box made from polystyrene with a circular intake on the side. It can be equipped with swirl diffusers or perforated face diffusers for laminar air flow. It is equipped with a pressure intake that controls pressure losses in the filter. UFA units are suitable for installations that require very pure, germ-free air such as clean rooms and pharmaceutical laboratories.

H14 filters for terminal units of the UFA series are suitable for unidirectional flow applications. The filter is provided with a frame of extruded aluminium with a depth of 69 mm. The finish is epoxy paint and both sides are provided with a protective aluminium grille. The mini pleated filter pack in micro fibreglass maintains the proper shape via spacers by continuous hot fusion.

The design of the filter assembly with micro fibreglass ensures minimal pressure drop and laminar flow. The structure is sealed with elastomer polyurethane avoiding the risk of air bypass. After installing the filter, the adjustment is secured with a polyurethane foam gasket. Each filter is tested and labelled according to EN 1822. The test report is delivered in each order.



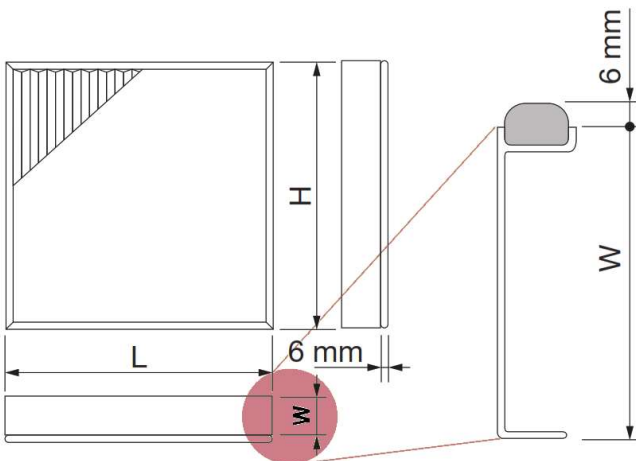
UFA-AXO

Swirl air flow						
Sizes				Q nominal		DPT
A	B	C	Ø(mm)	m³/h	l/s	Pa
330	330	345	173	150	42	150
482	482	345	173	400	111	150
538	538	365	198	500	180	150
635	635	365	198	650	180	150

UFA-DFR

Laminar air flow						
Sizes				Q nominal		DPT
A	B	C	Ø(mm)	m³/h	l/s	Pa
330	330	345	173	150	42	130
330	635	345	173	300	84	130
482	482	345	173	350	97	130
538	538	365	198	500	135	130
635	635	365	198	600	167	130
635	940	445	248	900	250	135
635	1245	445	248	1200	333	135

Filter H14



CLASSIFICATION

UFA-AXO UFA terminal unit with an AXO swirl diffuser.

UFA-DFR UFA terminal unit with a DFR perforated face diffuser for laminar air flow.

ACCESSORIES

RH14 H14 filter for replacement in UFA units.

FINISHES

AA Anodised silver matte. White polystyrene plenumbox.

R9010 Painted in white RAL 9010. White polystyrene plenumbox.

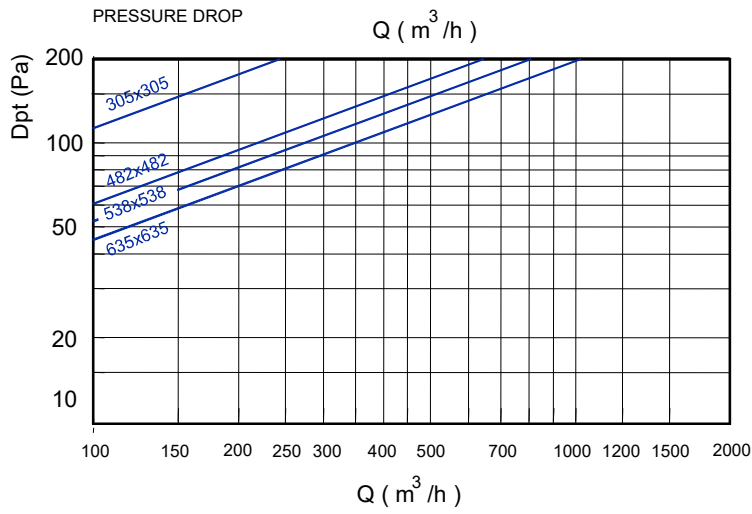
SPECIFICATION TEXT

Supply and mounting of swirl diffuser AXO-S integrated in a polystyrene plenum box in white with circular side intake **UFA-AXO AA LxH**. Includes a HEPA filter H14 with a pressure intake to control filter pressure loss. Anodised silver matte **AA**.
Manufactured by **MADEL**.

Filter H14			
Sizes			
Dim. Nominal	L	H	W
330 x 330	305	305	68
330 x 635	305	610	68
482 x 482	457	457	68
538 x 538	515	515	68
635 x 635	610	610	68
635 x 940	610	915	68
635 x 1245	610	1219	68

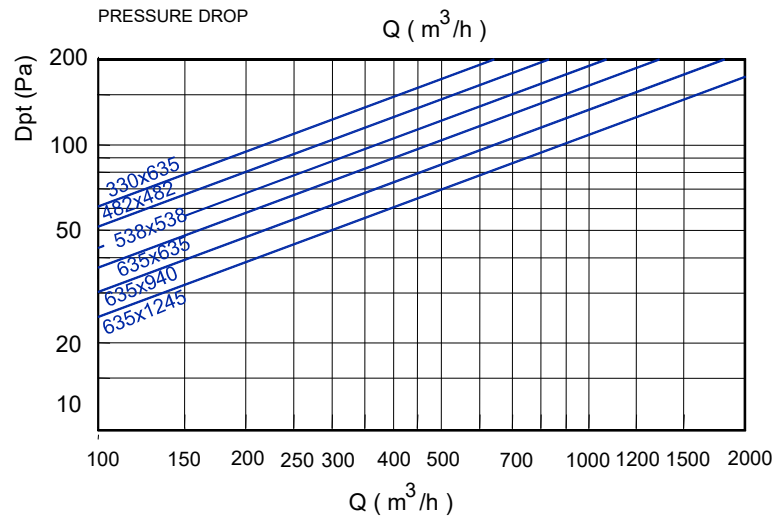
Filter specifications	AB
Effectiveness MPPS	99,9950%
Classification EN 1822:2009	H14
Final pressure drop	400 Pa
Maximum pressure drop	600 Pa
Maximum relative humidity	90%
Certification CE	*
Version ATEX	*

UFA-AXO



Dim.	Qmin. m3/h	Qnom. m3/h	Qmax. m3/h
330x330	120	150	180
482x482	320	400	480
538x538	400	500	600
635x635	520	650	780

UFA-DFR



Dim.	Qmin. m3/h	Qnom. m3/h	Qmax. m3/h
330x330	120	150	180
330x635	240	300	360
482x482	280	360	420
538x538	400	500	600
635x635	480	600	720
635x940	720	900	1080
635x1245	960	1200	1440