

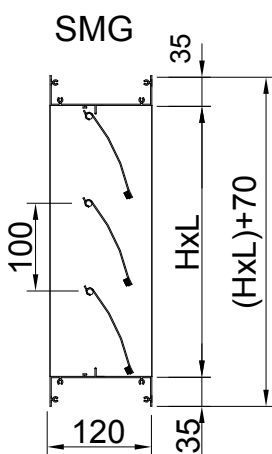
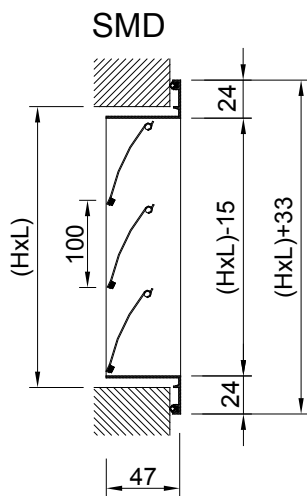
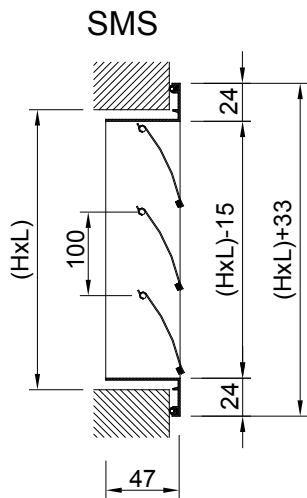


SMS PRESSURE DAMPERS

MADEL[®]

The **SMS** series dampers are designed to be used in extraction and intake of air in air-conditioning, ventilation and heating.

This damper keeps closed and is opened when a pressure differential occurs. It protects the equipment from the rain and external factors.



CLASSIFICATION

SMS Wall mounting damper with blades parallel to L size to air extract.

SVS Wall mounting damper with blades parallel to H size to air extract.

SMD Wall mounting damper with blades parallel to L size to air intake.

SVD Wall mounting damper with blades parallel to H size to air intake.

S...G Duct mounting dampers

MATERIAL

Extruded aluminium frame shaped at an angle, with milled aluminium blades.

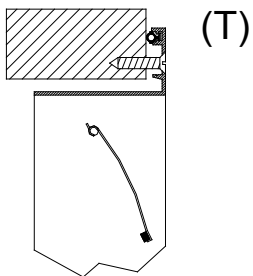
Nylon bearings with high resistance to abrasion.

The blades incorporate a polyester foam seal to prevent noise when the blades close.

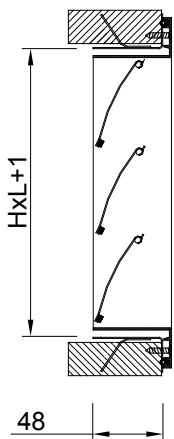
FIXING SYSTEMS

(T) The damper is fixed in place with screws (standard).

1) CS Mounting frame constructed from galvanised steel. It includes the sidepiece to fix in place.



SMS+ CS

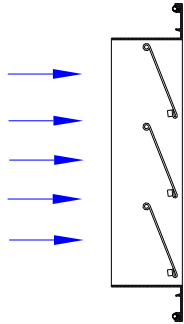


FINISHES

Raw aluminium.

SMS SERIES

FREE FACE AREA m².



H \ L	200	300	400	500	600	700	800	900	1000
150	,0167	,0257	,0347	,0437	,0527	,0617	,0706	,0796	,0887
250	,033	,051	,069	,087	,105	,123	,141	,159	,177
350	,049	,0769	,104	,131	,157	,184	,212	,238	,265
450	,066	,102	,138	,174	,21	,246	,282	,312	,354
550	,083	,128	,173	,218	,263	,308	,353	,398	,443
650	,099	,153	,208	,262	,316	,369	,424	,477	,532
750	,116	,179	,242	0,305	0,368	0,431	,495	,557	,62
850	,133	,205	,277	,349	,421	,493	,565	,637	,709
950	,149	,23	,312	,392	,473	,554	,636	,717	,798
1000	,166	,256	,346	,436	,526	,616	,706	,796	,886

FREE VELOCITY, PRESSURE LOSS AND SOUND POWER LEVEL.

RECOMMENDED VELOCITY.

Vmin m/s	Vmax m/s
3	7

