

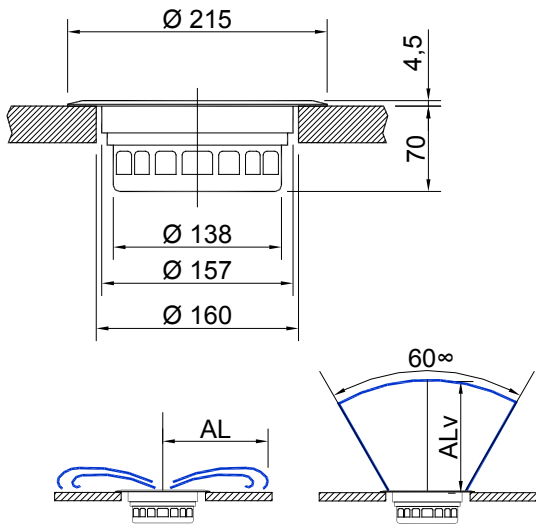
TEK FLOOR CIRCULAR DIFFUSERS

MADEL®

Circular floor diffuser of the series **TEK** are designed for their application in theatres auditoriums, cinemas, etc.

Circular diffuser with sliding volume damper, dust collector and trim ring. Designed for mounting either in the floor, or in a step or under seat for applications where no traffic is to be experienced.

These diffusers can be used for a temperature differential of 6° C, obtaining a high performance in the sound pressure level in the comfort zone.



CLASSIFICATION

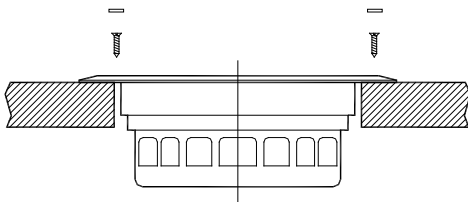
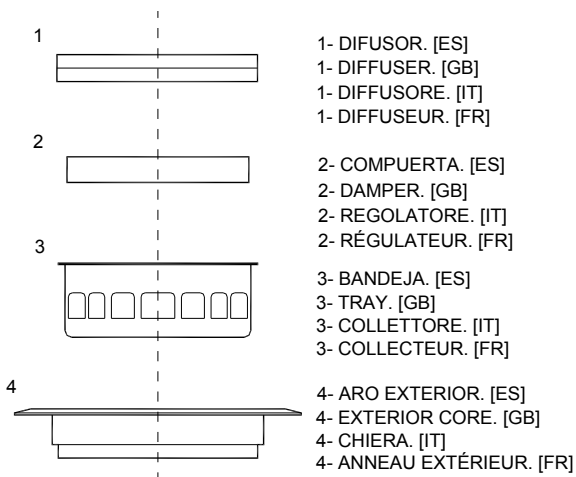
TEK Pre-set as a displacement unit, by reversing the core, the diffuser can be used as a floor outlet with a cone shape discharge for upward mixing of air.

MATERIAL

Diffuser constructed from Polyamide.

ADDITIONAL ACCESSORIES

The **TEK** diffuser incorporates a sliding air volume control and a dust collector.



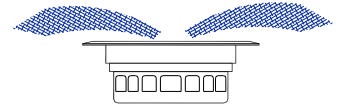
FIXING SYSTEMS

1) Fixing by screws supplied with the diffuser. The screws are hidden by plastic caps.

FINISHES

R7022 Polyamide in grey RAL 7022.

TEK SERIES

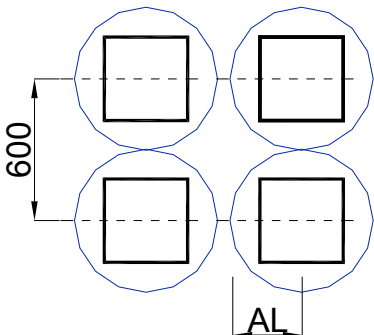
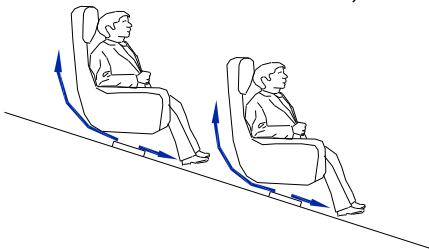
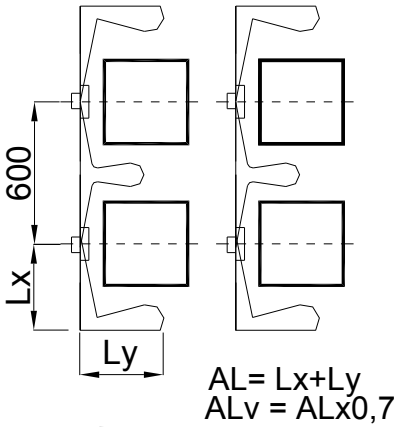
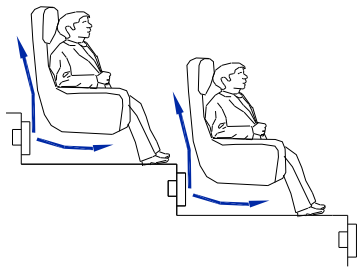


RECOMMENDED VELOCITY.

TEK	Vmin m/s	Vmax m/s
	0,4	0,85

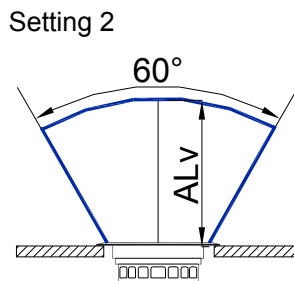
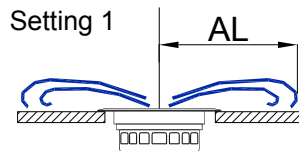
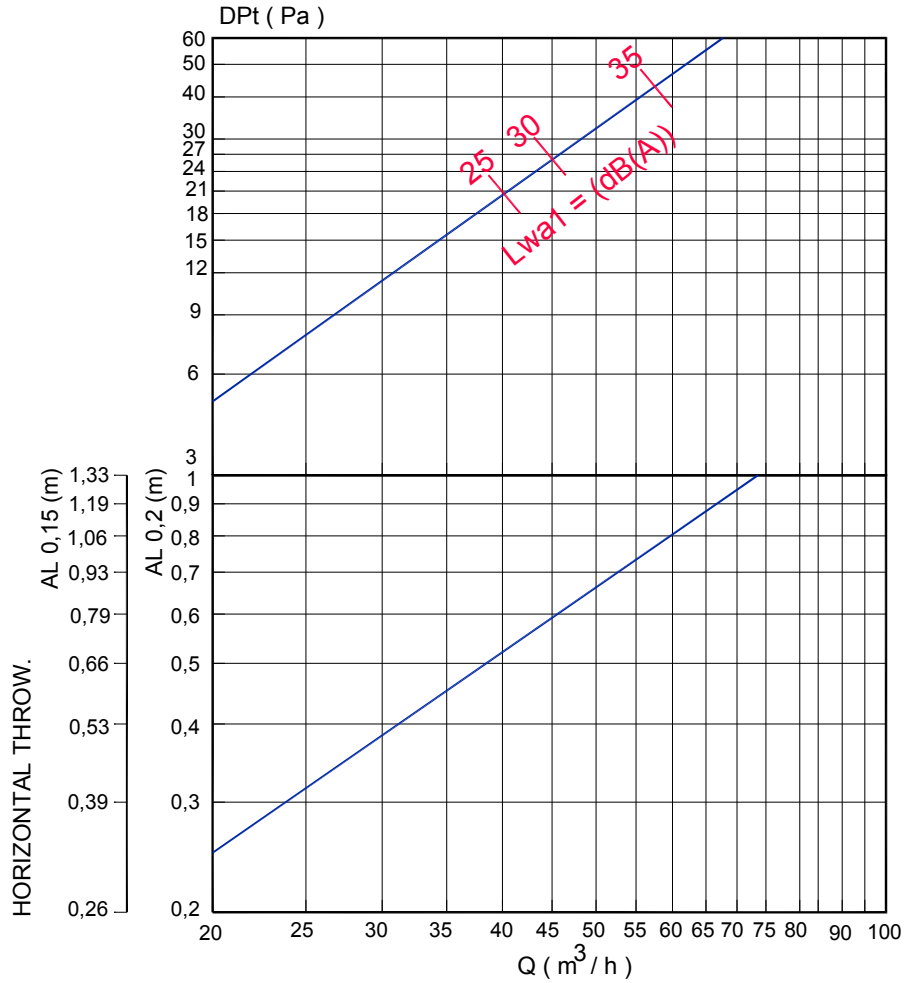
FREE FACE AREA (m2).

TEK	A k m2	Qmin m3/h	Qmax m3/h
	0,018	30	57



PRESSURE LOSS AND SOUND POWER LEVEL.

Setting 1



Diffuser TEK: K3 Class

According to load test on the european norm EN-1253-2



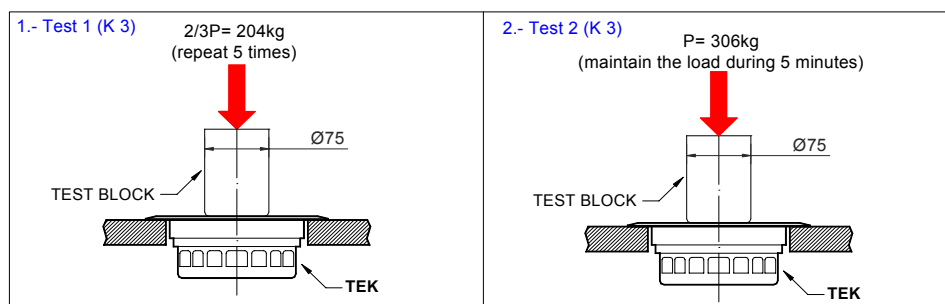
1. - OBJECTIVE OF TEST

Classify floor grilles or floor diffusers in accordance to load test corresponding to the European norm EN-1253-2, with the objective of determine the right places for its installation.

2. - TEST PROCEDURE

Apply the load vertically, through the test block, on a most unfavourable point of grilles or diffuser. Exist two tests:

Class	Load test P (2)		Permanent deformation f to 2/3 P (1)
	kN	Kg	
K 3	3	306	2/500 (0.4%) of the free opening (AL) but not more of 2.0mm



3. - PLACES OF INSTALLATION

Class K3: Zone without traffic of vehicles, such as houses, residences of old people, hotels, schools, swimming pools, public baths or showers, etc...