

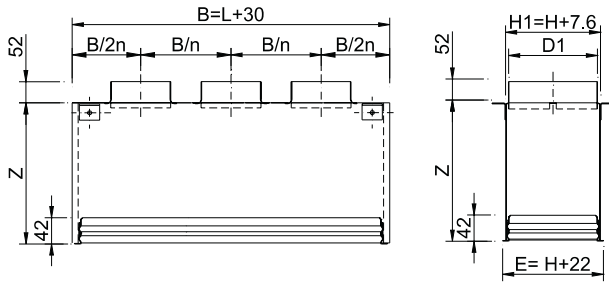
PLRX PLENUM BOX FOR GRILLES

MADEL®

Plenum box with circular connection for grilles series **AMT**, **CTM**, **LMT**, **AMT-AC**, **DMT** & **RMT**.

It includes mounting frame and supports to hang from the ceiling.

Made in galvanised steel.



REJILLA/GRILL	Z
Lx75	160
Lx100	160
Lx125	160
Lx150	160
Lx200	160
Lx250	160
Lx300	160
Lx350	230
Lx400	230

$$V_{eff} < \frac{V_k}{3}$$

n= número de cuellos
number of necks

D1= diámetro de cuello
diameter of neck

PLRX

L	H=75	H=100	H=125	H=150	H=200	H=250	H=300
	n/D1	n/D1	n/D1	n/D1	n/D1	n/D1	n/D1
200	1/61	1/98	1/123	1/123	1/198	1/198	1/198
250	1/61	1/98	1/123	1/123	1/198	1/198	1/198
300	2/61	1/98	1/123	1/123	1/198	1/248	1/248
350	2/61	1/98	1/123	1/123	1/198	1/248	1/248
400	2/61	1/98	1/123	1/123	1/198	1/248	1/248
450	2/61	1/98	1/123	1/123	1/198	1/248	1/248
500	2/61	1/98	1/123	1/123	1/198	1/248	1/248
600	2/61	2/98	2/123	2/123	1/198	1/248	1/248
700	3/61	2/98	2/123	2/123	1/198	1/248	1/248
800	3/61	2/98	2/123	2/123	1/198	1/248	1/248
900	3/61	2/98	2/123	2/123	2/198	1/248	1/248
1000	4/61	2/98	2/123	2/123	2/198	1/248	2/248

CLASSIFICATION

PLRX Plenum box with an upper circular connection (H=75 just available for LMT grilles).

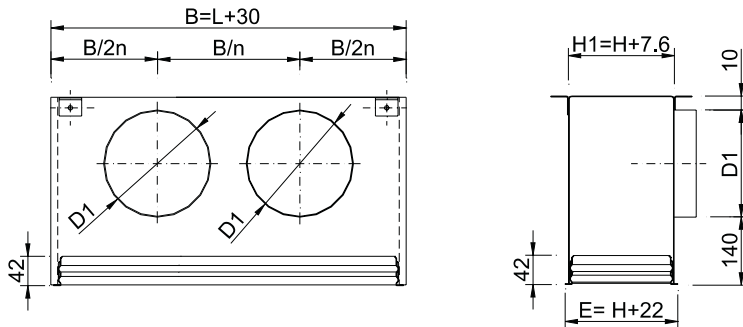
...-R Plenum box with a flow damper in the spigot.

.../AIS/ Plenum box thermoacoustically insulated.

PLRX/L Plenum box with a lateral circular connection.

...-R Plenum box with a flow damper in the spigot.

.../AIS/ Plenum box thermoacoustically insulated.



$$V_{eff} \approx V_k$$

n= número de cuellos
number of necks

D1= diámetro de cuello
diameter of neck

PLRX-L

L	H=75	H=100	H=125	H=150	H=200	H=250	H=300
	n/D1	n/D1	n/D1	n/D1	n/D1	n/D1	n/D1
200	1/98	1/123	1/123	1/158	1/198	1/198	1/198
250	1/123	1/123	1/123	1/198	1/198	1/198	1/248
300	1/123	1/158	1/158	1/198	1/198	1/198	1/248
350	1/123	1/158	1/158	1/198	1/198	1/248	1/248
400	1/123	1/158	1/198	1/198	1/248	1/248	1/248
450	1/158	1/198	1/198	1/198	1/248	1/248	1/313
500	1/158	1/198	1/198	1/198	1/248	1/248	1/313
600	1/158	1/198	1/198	1/198	1/248	1/248	1/313
700	2/158	2/198	2/198	2/198	2/198	2/248	2/248
800	2/158	2/198	2/198	2/198	2/198	2/248	2/248
900	2/158	2/198	2/198	2/198	2/248	2/248	2/313
1000	2/158	2/198	2/198	2/198	2/248	2/248	2/313