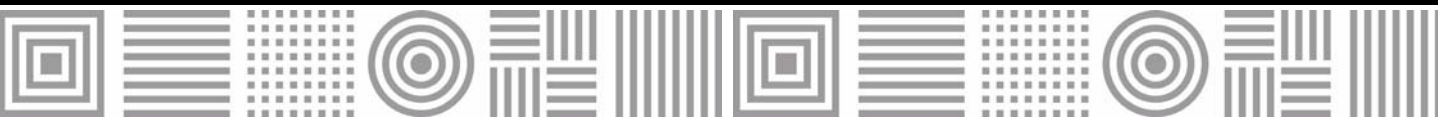




Patented

FOC-EIS-90 EN-1366-2 fire dampers



MADÉL®

Fire dampers for circular duct mounting. Dampers designed to maintain the fire resistance of the wall or the floor, in which a passage for ventilation, heating or air conditioning ducts has been made. They have been tested in accordance with the standards EN-1366-2 achieving the fire resistance EIS 90 (Integrity, Insulation and smoke leakage during 90 minutes), to comply with building regulations for fire safety.

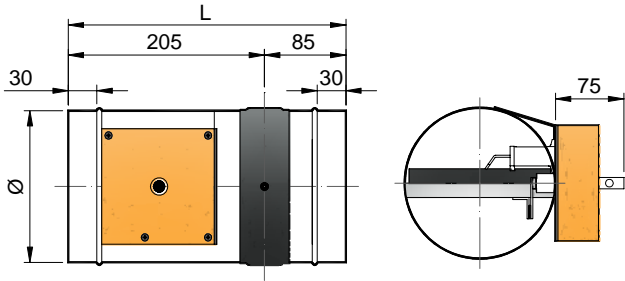
In case of fire, the damper stops the air passage at 72°C by means of a fusible link that closes a blade valve. An expanding joint and another one of air tightness, as much prevent the propagation of smoke to high as to low temperature. These dampers full fill the required conditions for the (S) symbol, air-tightness to cold smoke. In case of fire, poisoning by smoke is the main cause of death.

Dampers with the displaced mechanism that facilitates a good installation.

Dampers **FOC-EIS-90** are especially indicated for a use in rooms of Public Building (hotel rooms, residences, pension, apartment tourist etc).



FOC-EIS-90-MA



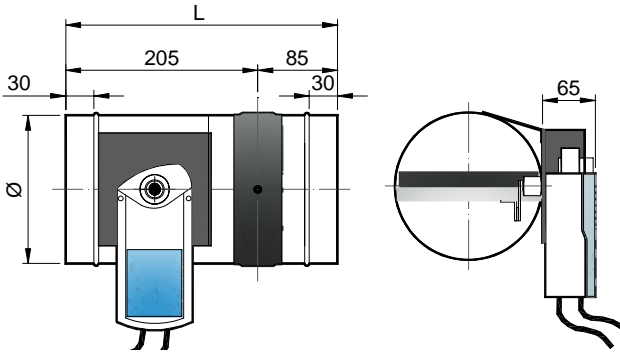
CLASSIFICATION

FOC-EIS-90 Circular damper.

...-M7F Damper operated by an actuator with switch off device at 24 or 230v.

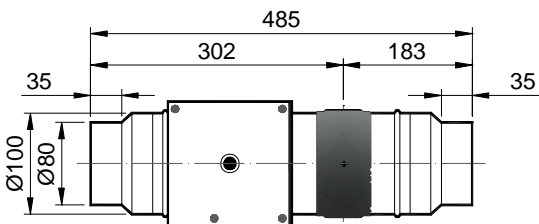
...-MA Manual resetting damper. Is not necessary to open the box device.

FOC-EIS-90-M7F

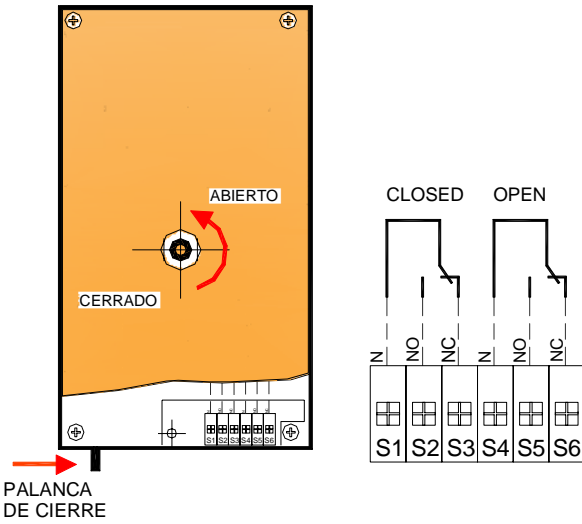


Dn	Ø	L
100	98	290
125	123	290
150	148	290
160	158	290
200	198	290
250	248	290
300	298	290
315	313	290

FOC-EIS-90 Ø 80mm



/PIF/



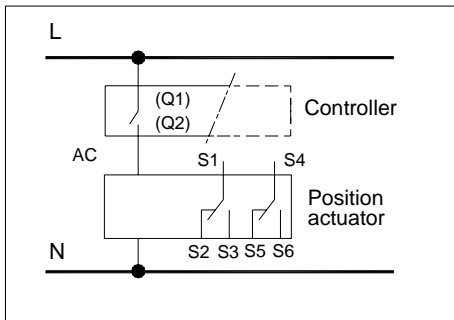
MATERIAL

Dampers made from galvanised steel and non-combustible board.

ADDITIONAL ACCESSORIES

/PIF/ Open / closed switches device.

M7F



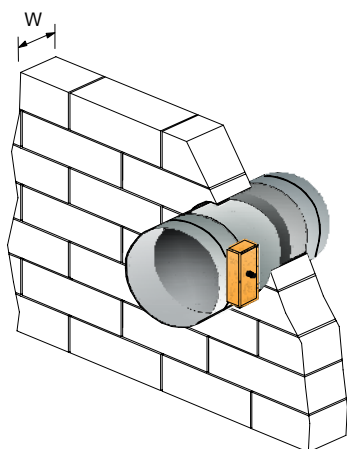
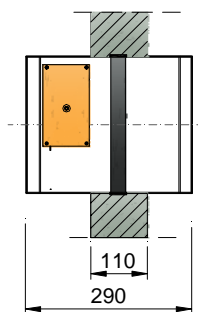
FIXING SYSTEMS

The damper is fixed in accordance with the figure.

The damper cannot be fixed in place when vibrations are occurring.

The dampers must be installed in a way that they can be operated manually.

Precautions will have to be taken in order to ensure that the air flow reaches the fire damper uniformly.



SPECIFICATION TEXT

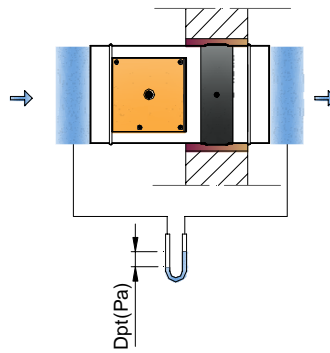
Supply and mounting of fire damper for circular duct classed EIS-90 in accordance to the European standard EN-1366-2 series

FOC-EIS-90-M7F24 D=200. Operated by means of a servomotor at 24v **M7F24**, start and end of course switches. Dampers made from galvanised steel and non-combustible board. Thermal fusible link at 72°C. An expanding joint together an air-tightness joint, as much prevent the propagation of smoke to high as to low temperature. Manufacturer **MADEL**.

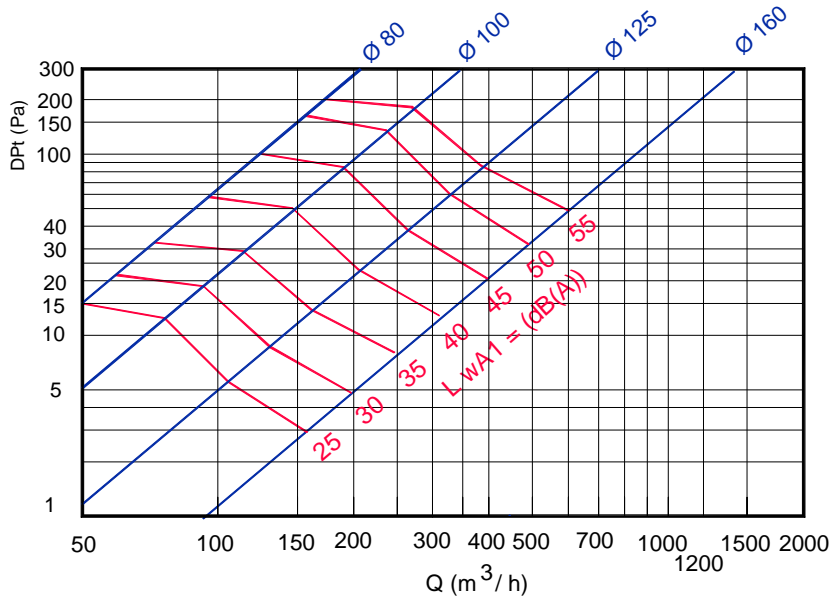
FOC-EIS-90

NECK AREA m2.

	A k m2	Qmin m3/h	Qmax m3/h
80	0.005	45	126
100	0.0078	80	196
125	0.0123	110	307
160	0.020	180	504
200	0.031	280	780
250	0.049	440	1234
315	0.0779	720	1960



PRESSURE LOSS AND SOUND POWER LEVEL.



PRESSURE LOSS AND SOUND POWER LEVEL.

